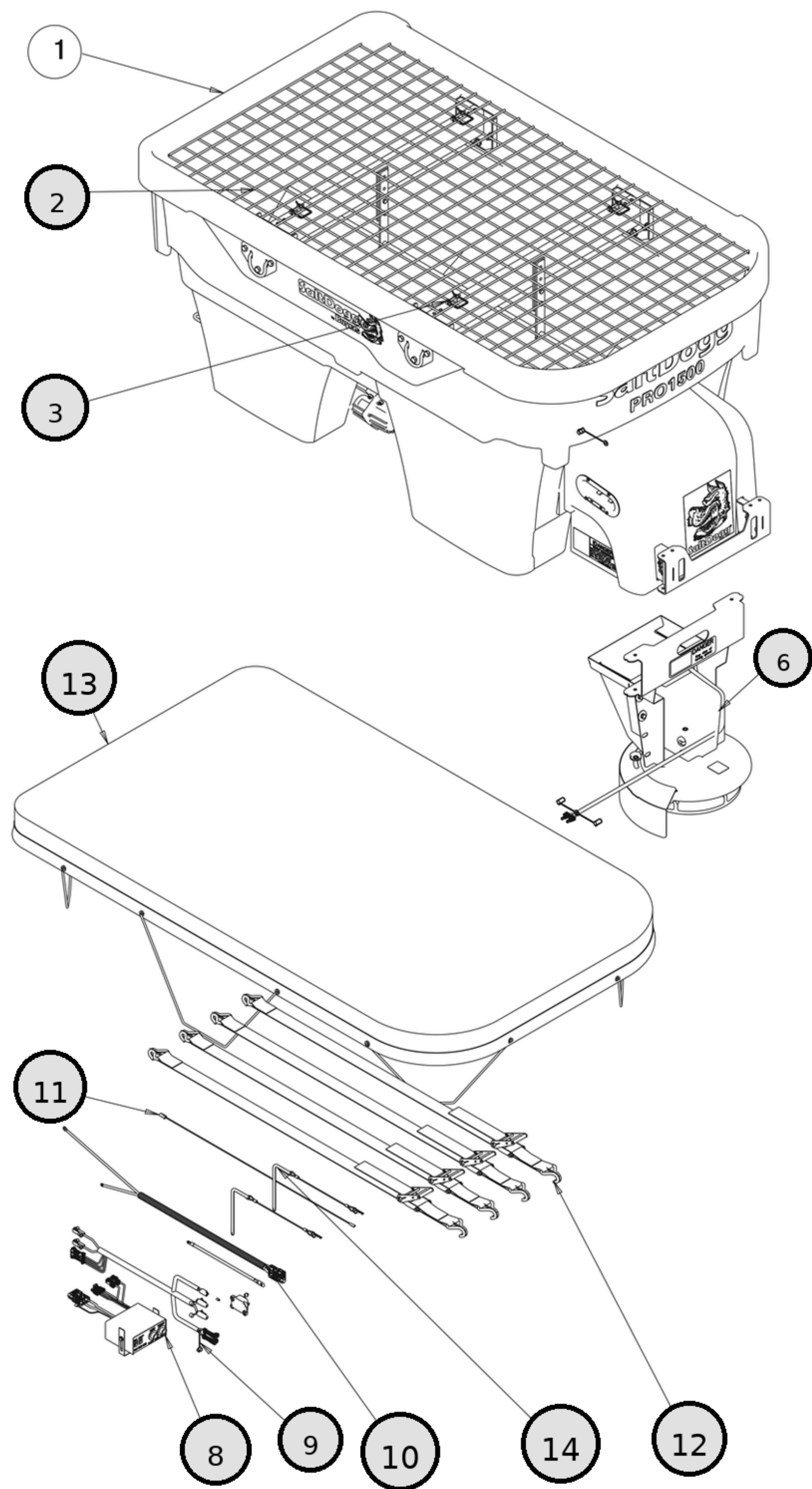




PRO POLY SPREADERS - ELECTRIC - 1.5-2.5CY

FIGURE LIST

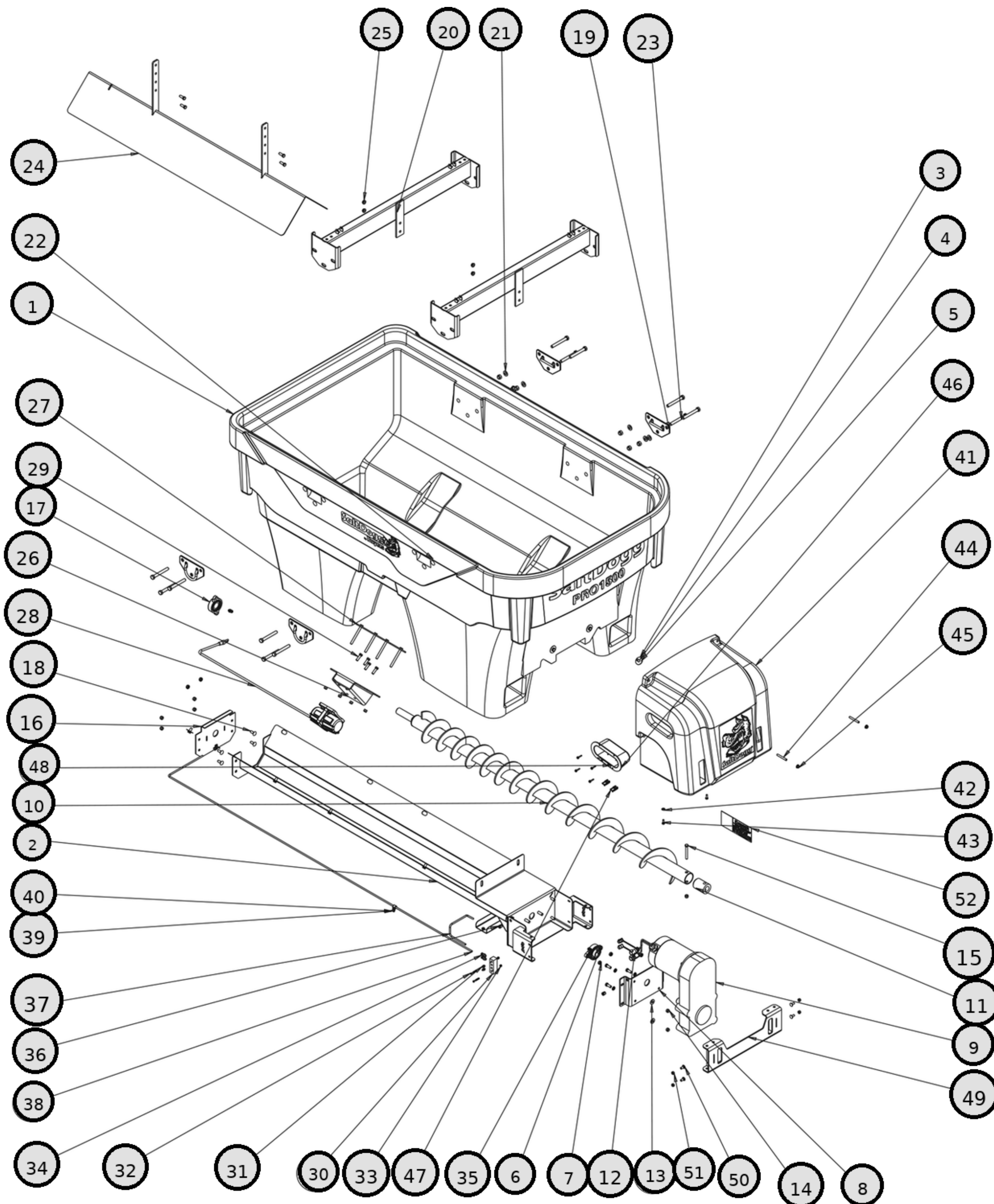
Page	Description
1	PRO1500 MAIN ASSEMBLY
2	PRO1500 HOPPER ASSEMBLY
4	PRO1500CH MAIN ASSEMBLY
5	PRO1500CH HOPPER ASSEMBLY
7	PRO2000 HOPPER ASSEMBLY
9	PRO2000CH HOPPER ASSEMBLY
11	PRO2000CH PRO2000 MAIN ASSEMBLY
12	PRO2500 HOPPER ASSEMBLY
14	PRO2500CH HOPPER ASSEMBLY
16	PRO2500CH PRO2500 MAIN ASSEMBLY
17	PRO2500CH PRO2500 PRO2000CH PRO2000 PRO1500CH PRO1500 CHUTE ASSEMBLY
18	PRO2500CH PRO2500 PRO2000CH PRO2000 PRO1500CH PRO1500 CONTROL HARNESSSES



REF	PN	DESCRIPTION
2	3041211	TOP SCREEN PRO1500
3	66050	ZINC-PLATED SNAPPER PINS
4	3043775	LABEL SERIAL NUMBER PRO1500
5	3035854	PATENT DECAL
6	3031475	REPLACEMENT ADJUSTABLE CHUTE SWING FOR SALTDOGG® PRO SERIES SPREADERS
8	3057918	CONTROLLER, PRO
9	3030628	REPLACEMENT MAIN WIRE HARNESS WITH SEPARATE PIN SPINNER CONNECTORS FOR SALTDOGG® SPREADERS
10	3035938	POWER CABLE KIT
11	0203700	WIRE ASSY,36IN LONG
12	1496505	4 PIECE SPREADER TIE DOWN KIT FOR SALTDOGG® SPREADER
13	3043774	TARP PRO1500
14	3033174	PIN, CHUTE ATTACHMENT

MAIN ASSEMBLY

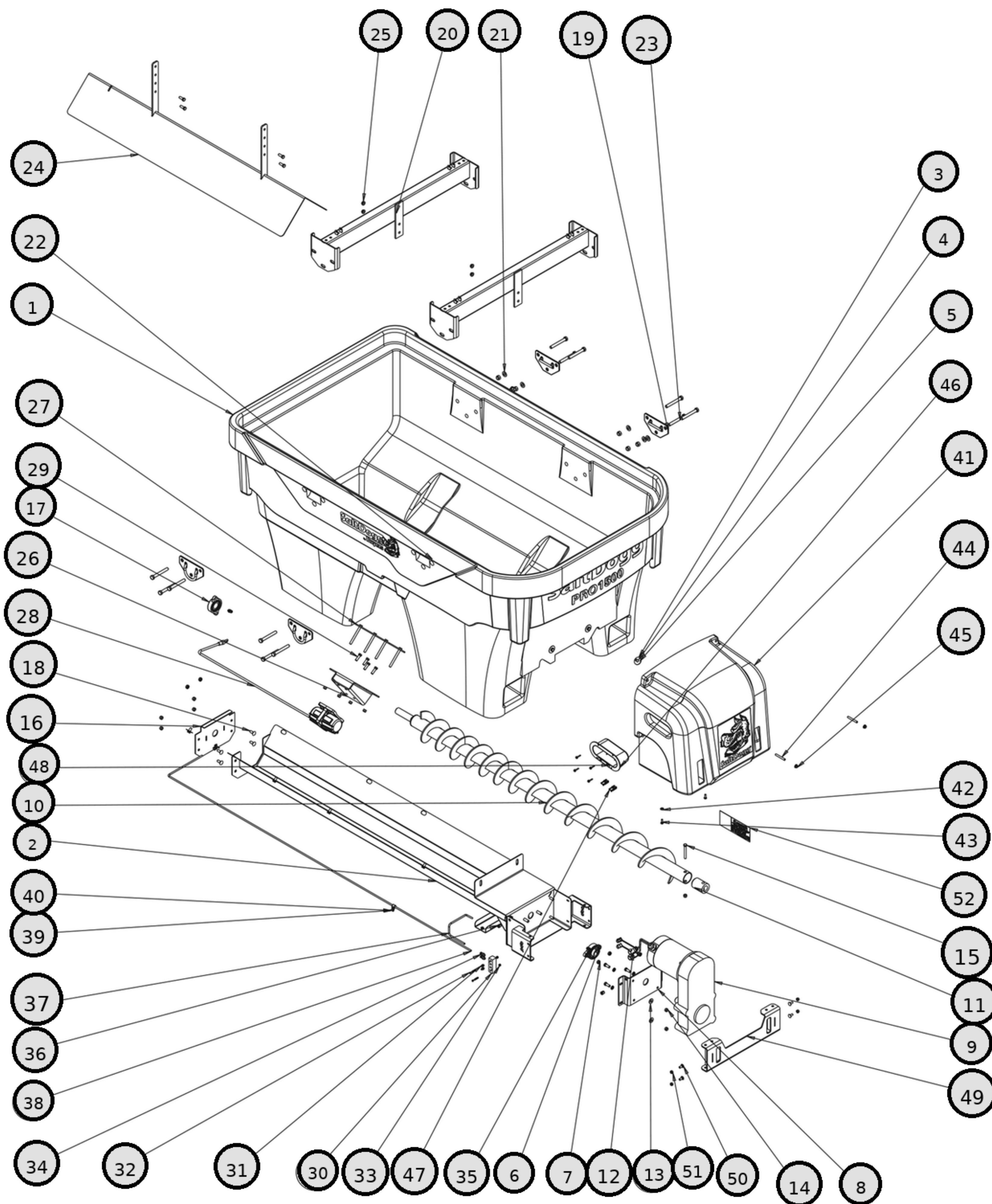
PRO1500



REF	PN	DESCRIPTION
1	3040940	HOPPER POLY PRO1500
2	3035261	TROUGH WELDMENT, PRO1500/2000
3	3007115	WASHER,FENDER,3/8IN, 1.5IN OD X .062 SST
4	FWL038069009SS	WASHER,SPLIT LOCK, 3/8IN, SST
5	FCS038016075SS	SCREW,HEX HD CAP 3/8-16X3/4SST
6	1410200	REPLACEMENT 1-1/8 INCH SELF ALIGNING CHUTE SIDE DRIVE SHAFT TAKE-UP BEARING
7	3014756	NUT, HEX NYLOCK 7/16-14 SST
8	3033003	SPACER, GEAR MOTOR
9	3014778	REPLACEMENT MOTOR FOR 3024575
9	3024575	GEAR MOTOR, SALTDogg® PRO/SCH/MID SERIES SPREADERS
9	3054944	REPAIR PIGTAIL, PRO MOTOR
10	3035264	AUGER, 5.25" PRO/SCH
11	3033663	SLEEVE, AUGER ADAPTER
12	FCS038016100SS	SCREW CAP-3/8IN-16 X 1IN, HEX HEAD, SST
13	FWF038100007SS	WASHER-FLAT USS, 3/8IN, SST
14	FNE038016044SS	NUT-NYLOCK, 3/8-16 X 7/16 THK,SST
15	3007068	SCREW,CAP,HEX HD,3/8-16X 3 SST
16	3033070	BRACKET BEARING FRONT
17	9240086	TAILGATE SPREADER AUGER BEARINGS
18	FCB037516100SS	BOLT,CARRIAGE, 3/8-16 X 1, SST
19	3022220	TIE-DOWN WELDMENT FINISH BLK POWDER
20	3041029	CROSS MEMBER
21	FWF050106010	WASHER FLAT 1/2IN SAE, ZINC
22	FNE050013053	NUT, NYLOCK 1/2-13 ZINC
23	FCS050013400Z	SCREW, HEX HEAD CAP 1/2-13 X 4.00 GR 5 ZN
24	3041208	INVERTED VEE, PRO1500
25	3001255	NUT,HEX, SERRATED FLANGE 3/8-16, SST
26	3039179	REPLACEMENT BRACKET FOR SALTDogg® PRO SERIES SPREADER VIBRATORS
27	3034598	VIBRATOR PLATE, PRO2000
28	3007416	VIBRATOR 200 LBS 12 VDC
29	FCS038016125SS	SCREW,CAP-3/8IN-16 X 1-1/4INSST
30	3035346	RIGHT ANGLE JUNCTION BLOCK
31	800	NPT GREASE FITTINGS
32	3035357	SCREW, 8-32X 1.50 SST
33	3035358	NUT, NYLOCK 8-32 SST, BLACK OXIDE
34	3035347	GREASE FITTING, 1/4 X 1/8NPT STRAIGHT
35	3035344	GREASE FITTING, 1/4 X 1/4-28 STRAIGHT
36	3035742	BUSHING
37	3035359	GREASE HOSE, REAR AUGER BEARING
38	3035360	GREASE HOSE, FRONT AUGER BEARING, PRO2000
39	4375	CLAMP,HOSE .4375, 9/32 HOLE
40	3007522	SCREW,SHEET METAL #12 X 1.0IN HEX WASHER
41	3031169	SHROUD
42	FWF025063007SS	WASHER,FLAT,1/4IN SAE,SST
43	FCS025020075SS	SCREW,CAP-1/4-20 X 3/4IN,SST
44	3033165	STUD THREADED 5/16-18 X 2.5 SST
45	3006719	NUT-HEX FLANGE, 5/16IN-18 SST
46	3031203	MOUNT CONNECTORS
47	3031276	CLIP ATTACHMENT, CONNECTOR DEUTSCH

HOPPER ASSEMBLY

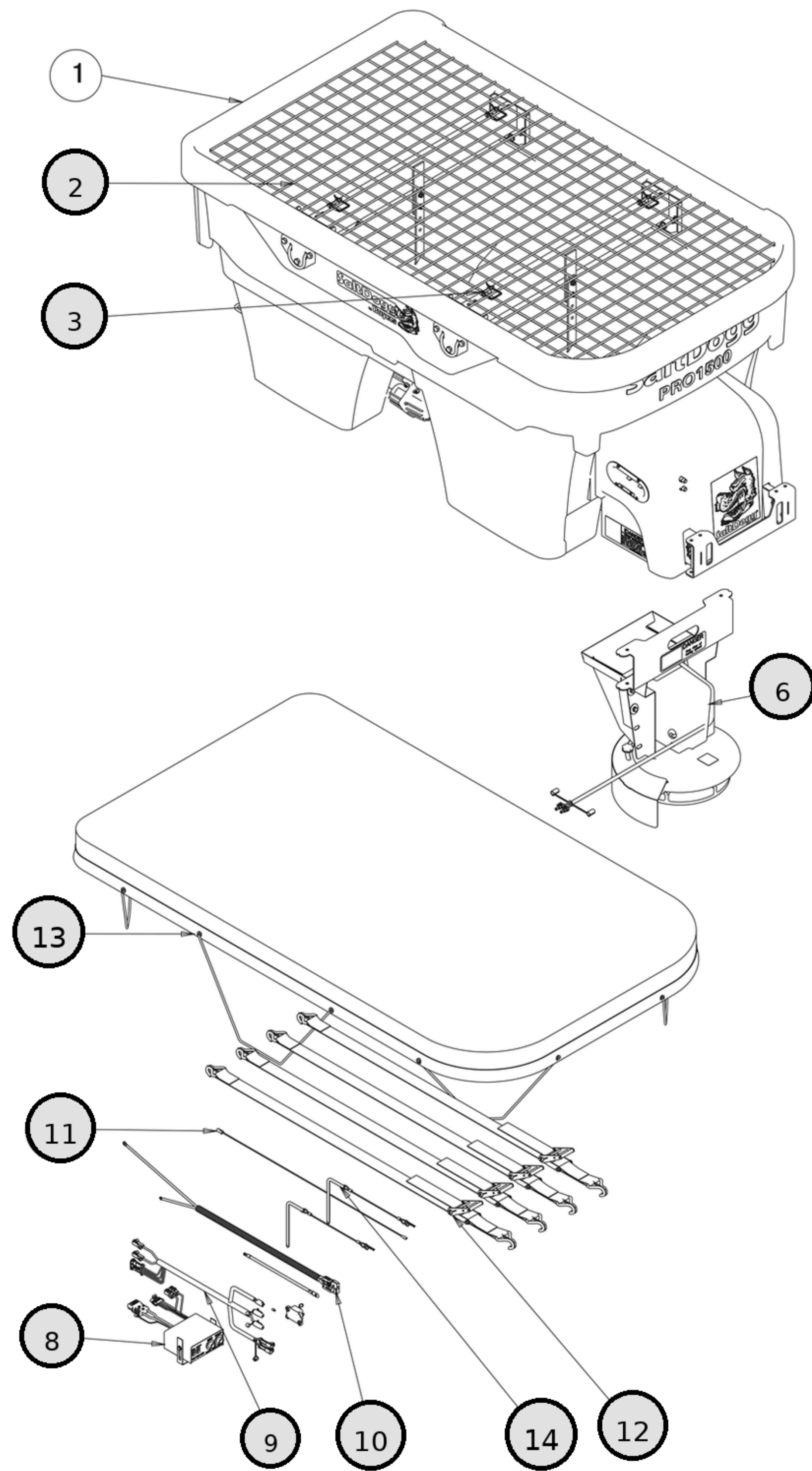
PRO1500



REF	PN	DESCRIPTION
48	3033172	DECAL, CONNECTION
49	3033076	CHUTE ATTACHMENT
50	3012144	BOLT,CARRIAGE, 5/16-18 X 3/4 RD HD SST
51	FNE031018034SS	NUT,NYLOCK 5/16-18 SST
52	3032591	DECAL, DANGER. MOVING CONVEYOR/AUGER

HOPPER ASSEMBLY

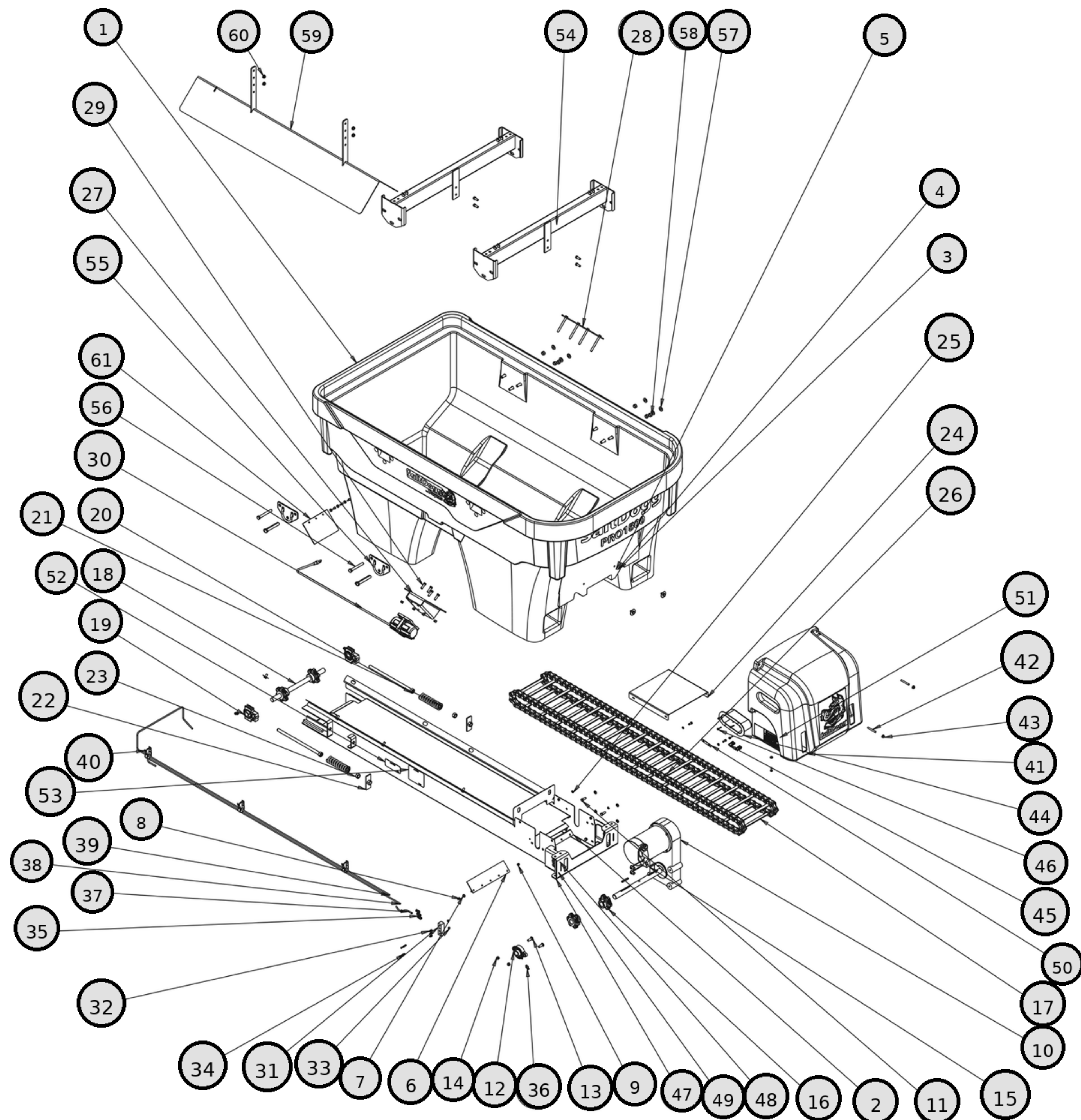
PRO1500



REF	PN	DESCRIPTION
2	3041211	TOP SCREEN PRO1500
3	66050	ZINC-PLATED SNAPPER PINS
4	3043775	LABEL SERIAL NUMBER PRO1500
5	3035854	PATENT DECAL
6	3031475	REPLACEMENT ADJUSTABLE CHUTE SWING FOR SALTDOGG® PRO SERIES SPREADERS
8	3057918	CONTROLLER, PRO
9	3030628	REPLACEMENT MAIN WIRE HARNESS WITH SEPARATE PIN SPINNER CONNECTORS FOR SALTDOGG® SPREADERS
10	3035938	POWER CABLE KIT
11	0203700	WIRE ASSY,36IN LONG
12	1496505	4 PIECE SPREADER TIE DOWN KIT FOR SALTDOGG® SPREADER
13	3043774	TARP PRO1500
14	3033174	PIN, CHUTE ATTACHMENT

MAIN ASSEMBLY

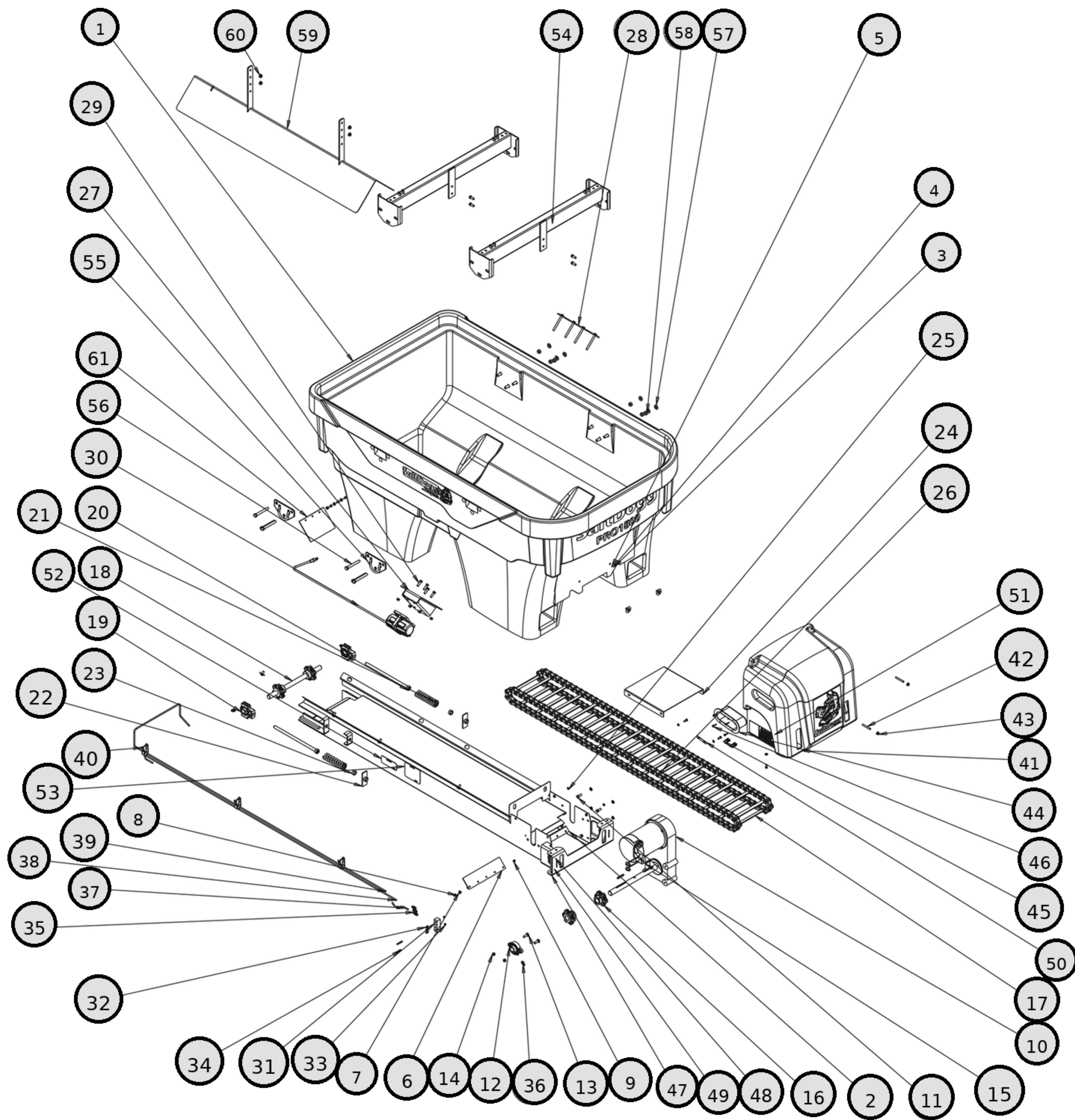
PRO1500CH



REF	PN	DESCRIPTION
1	3040940	HOPPER POLY PRO1500
2	3034593	TROUGH, PRO2000CH
3	3007115	WASHER,FENDER,3/8IN, 1.5IN OD X .062 SST
4	FWL038069009SS	WASHER,SPLIT LOCK, 3/8IN, SST
5	FCS038016075SS	SCREW,HEX HD CAP 3/8-16X3/4SST
6	1410241	WIPER BELT,HOPPER
7	FWF025063007SS	WASHER,FLAT,1/4IN SAE,SST
8	3008549	SCREW,HEX HD CAP,1/4-20 X .500IN, SST
9	FNE025020031SS	NUT,HEX-NYLOCK INSERT 1/4-20
10	3013821	REPLACEMENT 12VDC .75 HP 4-BOLT AUGER GEAR MOTOR FOR SALTDogg® SPREADER
10	3014778	REPLACEMENT MOTOR FOR 3024575
10	3054944	REPAIR PIGTAIL, PRO MOTOR
11	FCS038016100SS	SCREW CAP-3/8IN-16 X 1IN, HEX HEAD, SST
12	1410200	REPLACEMENT 1-1/8 INCH SELF ALIGNING CHUTE SIDE DRIVE SHAFT TAKE-UP BEARING
13	3031483	BOLT, 3/8-16 X1 SST
14	FNE038016044SS	NUT-NYLOCK, 3/8-16 X 7/16 THK,SST
15	KS402	SQUARE KEY STOCK
16	1410250	REPLACEMENT 6-TOOTH CHUTE SIDE DRIVE SPROCKET FOR D662 CHAIN
17	1401300	REPLACEMENT 6 FOOT 93-LINK MAIN PINTLE CHAIN D662
18	3008571	SHAFT IDLER ASSEMBLY
19	1411001	REPLACEMENT CAB SIDE DRIVE CHAIN IDLER TAKE-UP BEARING
20	3023046	BOLT WELDED, TAKE-UP
21	3023022	TENSION SPRING
22	3031199	TAKE UP NUT
23	FNH063011054SS	NUT, HEX 5/8-11, SST
24	3031195	CHAIN COVER
25	FWL025050006SS	WASHER,SPLIT LOCK,1/4IN,SST
26	FCS025020075SS	SCREW,CAP-1/4-20 X 3/4IN,SST
27	3039179	REPLACEMENT BRACKET FOR SALTDogg® PRO SERIES SPREADER VIBRATORS
28	3034598	VIBRATOR PLATE, PRO2000
29	FCS038016125SS	SCREW,CAP-3/8IN-16 X 1-1/4INSST
30	3007416	VIBRATOR 200 LBS 12 VDC
31	3035346	RIGHT ANGLE JUNCTION BLOCK
32	800	NPT GREASE FITTINGS
33	3035358	NUT, NYLOCK 8-32 SST, BLACK OXIDE
34	3035357	SCREW, 8-32X 1.50 SST
35	3035347	GREASE FITTING, 1/4 X 1/8NPT STRAIGHT
36	3035344	GREASE FITTING, 1/4 X 1/4-28 STRAIGHT
37	3035348	GREASE HOSE, REAR BEARING
38	3035355	GREASE HOSE, FRONT DS, PRO2000
39	3035356	GREASE HOSE, FRONT PS, PRO2000
40	5000	HOSE CLAMP, 3/8
41	3031169	SHROUD
42	3033165	STUD THREADED 5/16-18 X 2.5 SST
43	3006719	NUT-HEX FLANGE, 5/16IN-18 SST
44	3031203	MOUNT CONNECTORS
45	3031276	CLIP ATTACHMENT, CONNECTOR DEUTSCH
46	3007522	SCREW,SHEET METAL #12 X 1.0IN HEX WASHER
47	3033076	CHUTE ATTACHMENT

HOPPER ASSEMBLY

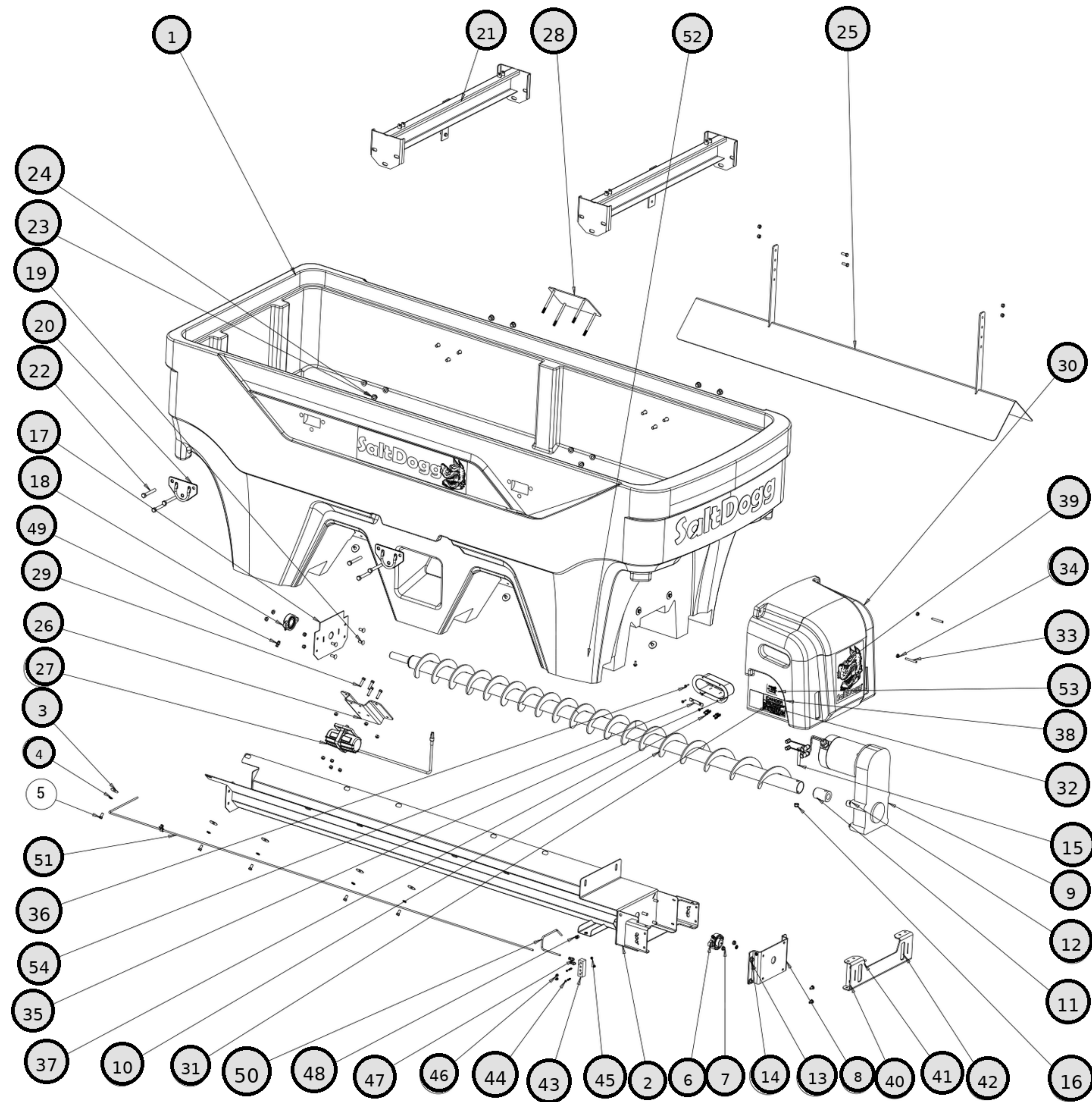
PRO1500CH



REF	PN	DESCRIPTION
48	3012144	BOLT,CARRIAGE, 5/16-18 X 3/4 RD HD SST
49	FNE031018034SS	NUT,NYLOCK 5/16-18 SST
50	3033172	DECAL, CONNECTION
51	3032591	DECAL, DANGER. MOVING CONVEYOR/AUGER
52	1499035	LABEL, WARNING 3
53	1499030	LABEL, CAUTION 1 (PAYLOAD)
54	3041029	CROSS MEMBER
55	3022220	TIE-DOWN WELDMENT FINISH BLK POWDER
56	FCS050013400Z	SCREW, HEX HEAD CAP 1/2-13 X 4.00 GR 5 ZN
57	FWF050106010	WASHER FLAT 1/2IN SAE, ZINC
58	FNE050013053	NUT, NYLOCK 1/2-13 ZINC
59	3041208	INVERTED VEE, PRO1500
60	3001255	NUT,HEX, SERRATED FLANGE 3/8-16, SST
61	3043864	WIPER BELT, FRONT

HOPPER ASSEMBLY

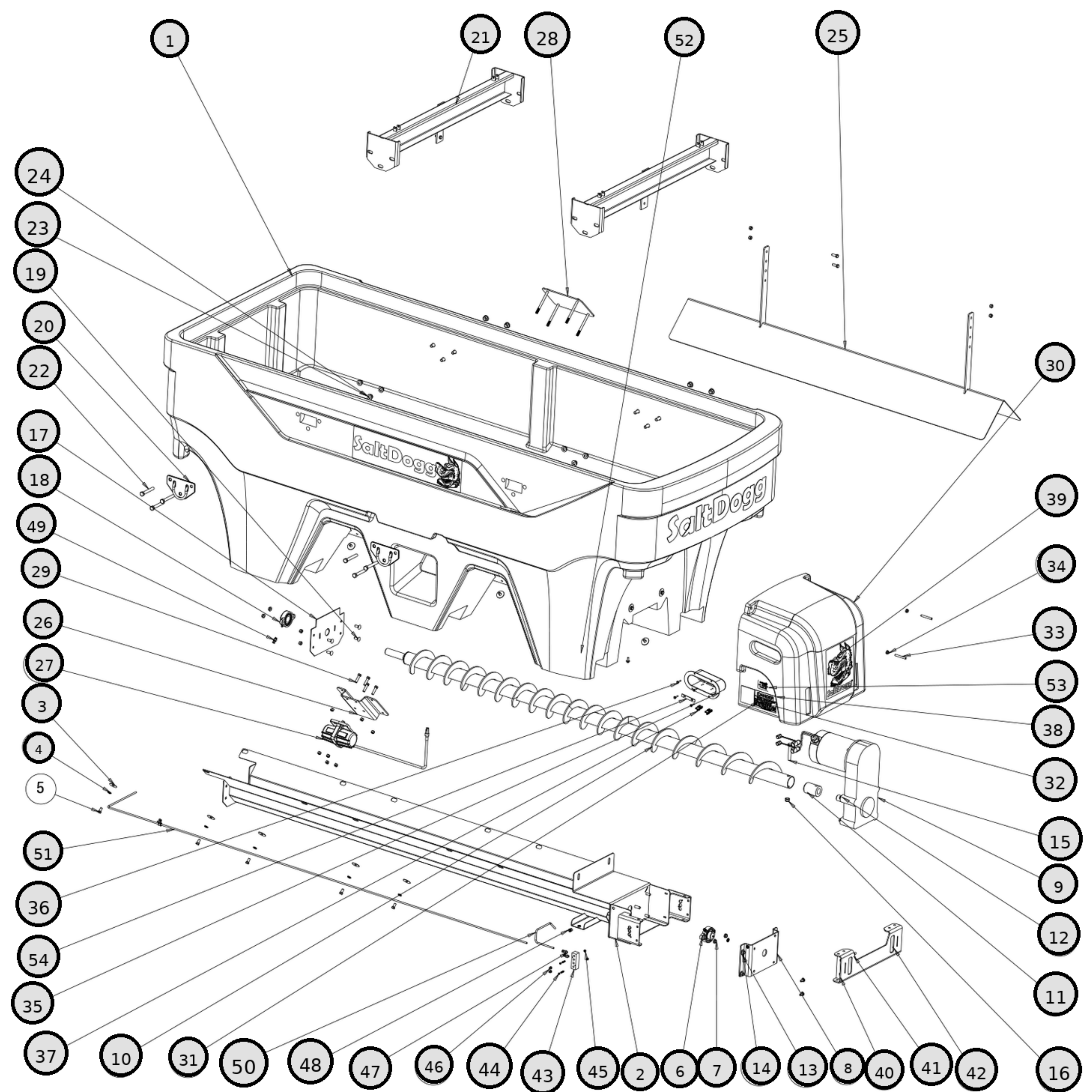
PRO1500CH



REF	PN	DESCRIPTION
NAN	3022355	LABEL SERIAL NUMBER SHPE2000
NAN	3031475	REPLACEMENT ADJUSTABLE CHUTE SWING FOR SALTDOGG® PRO SERIES SPREADERS
NAN	3034599	REPLACEMENT TOP SCREEN FOR SALTDOGG® PRO2000 SPREADER
1	3034401	HOPPER, PRO2000
2	3035261	TROUGH WELDMENT, PRO2000
3	3007115	WASHER,FENDER,3/8IN, 1.5IN OD X .062 SST
4	FWL038069009SS	WASHER,SPLIT LOCK, 3/8IN, SST
6	1410200	REPLACEMENT 1-1/8 INCH SELF ALIGNING CHUTE SIDE DRIVE SHAFT TAKE-UP BEARING
7	3001255	NUT,HEX, SERRATED FLANGE 3/8-16, SST
8	3033003	SPACER, GEAR MOTOR
9	3014778	REPLACEMENT MOTOR FOR 3024575
9	3024575	REPLACEMENT 12VDC .75 HP AUGER GEAR MOTOR FOR SALTDOGG® PRO AND 1400 SERIES SPREADERS
9	3054944	REPAIR PIGTAIL, PRO MOTOR
10	3035264	REPLACEMENT AUGER FOR SALTDOGG® SPREADER PRO2000
11	3033663	SLEEVE, AUGER ADAPTER
12	FCS038016100SS	SCREW CAP-3/8IN-16 X 1IN, HEX HEAD, SST
13	FWF038100007SS	WASHER-FLAT USS, 3/8IN, SST
14	FNE038016044SS	NUT-NYLOCK, 3/8-16 X 7/16 THK,SST
15	3001250	SCREW,CAP,HEX HD,1/2-13 X 3
16	FNE050013053SS	NUT, ELASTIC STOP,1/2-13,SST
17	3033070	BRACKET BEARING FRONT
18	9240086	TAILGATE SPREADER AUGER BEARINGS
19	FCB037516100SS	BOLT,CARRIAGE, 3/8-16 X 1, SST
20	3022220	TIE-DOWN WELDMENT FINISH BLK POWDER
21	3035740	CROSS MEMBER, PRO2000
22	3005140	SCREW,HEX HD CAP,1/2-13X3.5 GR 5,ZINC
23	FWF050106010	WASHER FLAT 1/2IN SAE, ZINC
24	FNE050013053	SAM BULK CUTTING EDGE NUTS AND BOLTS TO FIT FISHER® SNOW PLOWS
25	3035267	REPLACEMENT INVERTED V FOR SALTDOGG® PRO2000 SPREADER
26	3039179	REPLACEMENT BRACKET FOR SALTDOGG® PRO SERIES SPREADER VIBRATORS
27	3007416	200 POUND VIBRATOR
28	3034598	VIBRATOR PLATE, PRO2000
29	FCS038016150SS	SCREW,CAP-3/8IN-16 X 1-1/2INSST
30	3031169	SHROUD
31	FWF025063007SS	WASHER,FLAT,1/4IN SAE,SST
32	FCS025020075SS	SCREW,CAP-1/4-20 X 3/4IN,SST
33	3033165	STUD THREADED 5/16-18 X 2.5 SST
34	3006719	NUT-HEX FLANGE, 5/16IN-18 SST
35	3031203	MOUNT CONNECTORS
36	3007522	SCREW,SHEET METAL #12 X 1.0IN HEX WASHER
37	3031276	CLIP ATTACHMENT, CONNECTOR DEUTSCH
38	3032591	DECAL, DANGER. MOVING CONVEYOR/AUGER
39	3032595	DECAL, CAUTION, MOUNTING
40	3033076	CHUTE ATTACHMENT
41	3012144	BOLT,CARRIAGE, 5/16-18 X 3/4 RD HD SST
42	FNE031018034SS	NUT,NYLOCK 5/16-18 SST
43	3035346	RIGHT ANGLE JUNCTION BLOCK
44	3035357	SCREW, 8-32X 1.50 SST
45	3035358	NUT, NYLOCK 8-32 SST, BLACK OXIDE

HOPPER ASSEMBLY

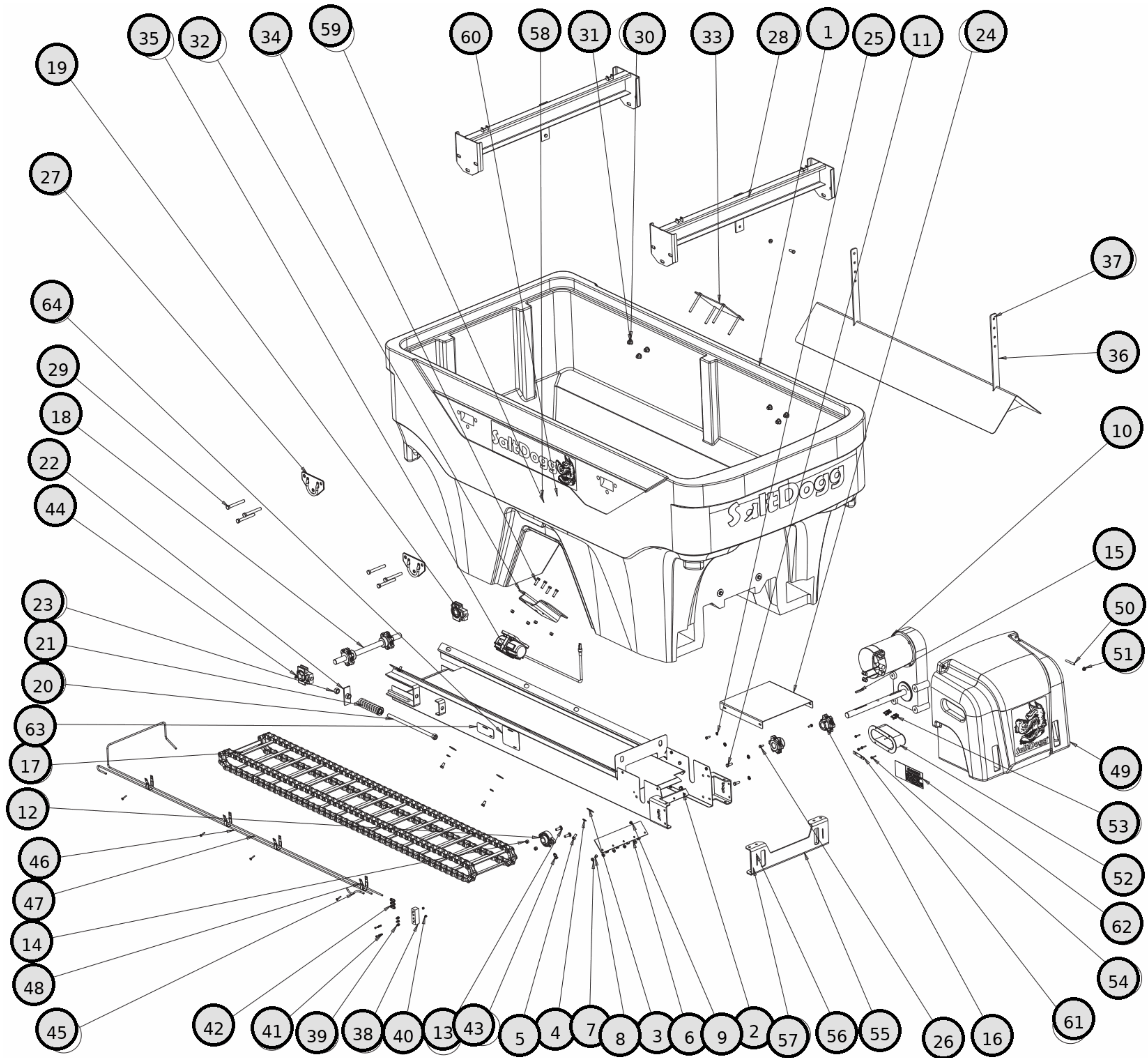
PRO2000



REF	PN	DESCRIPTION
46	800	NPT GREASE FITTINGS
47	3035347	GREASE FITTING, 1/4 X 1/8NPT STRAIGHT
48	3035742	BUSHING
49	3035344	GREASE FITTING, 1/4 X 1/4-28 STRAIGHT
50	3035359	GREASE HOSE, REAR AUGER BEARING
51	3035360	GREASE HOSE, FRONT AUGER BEARING, PRO2000
52	4375	CLAMP,HOSE .4375, 9/32 HOLE
53	3035854	PATENT DECAL
54	3033172	DECAL, CONNECTION

HOPPER ASSEMBLY

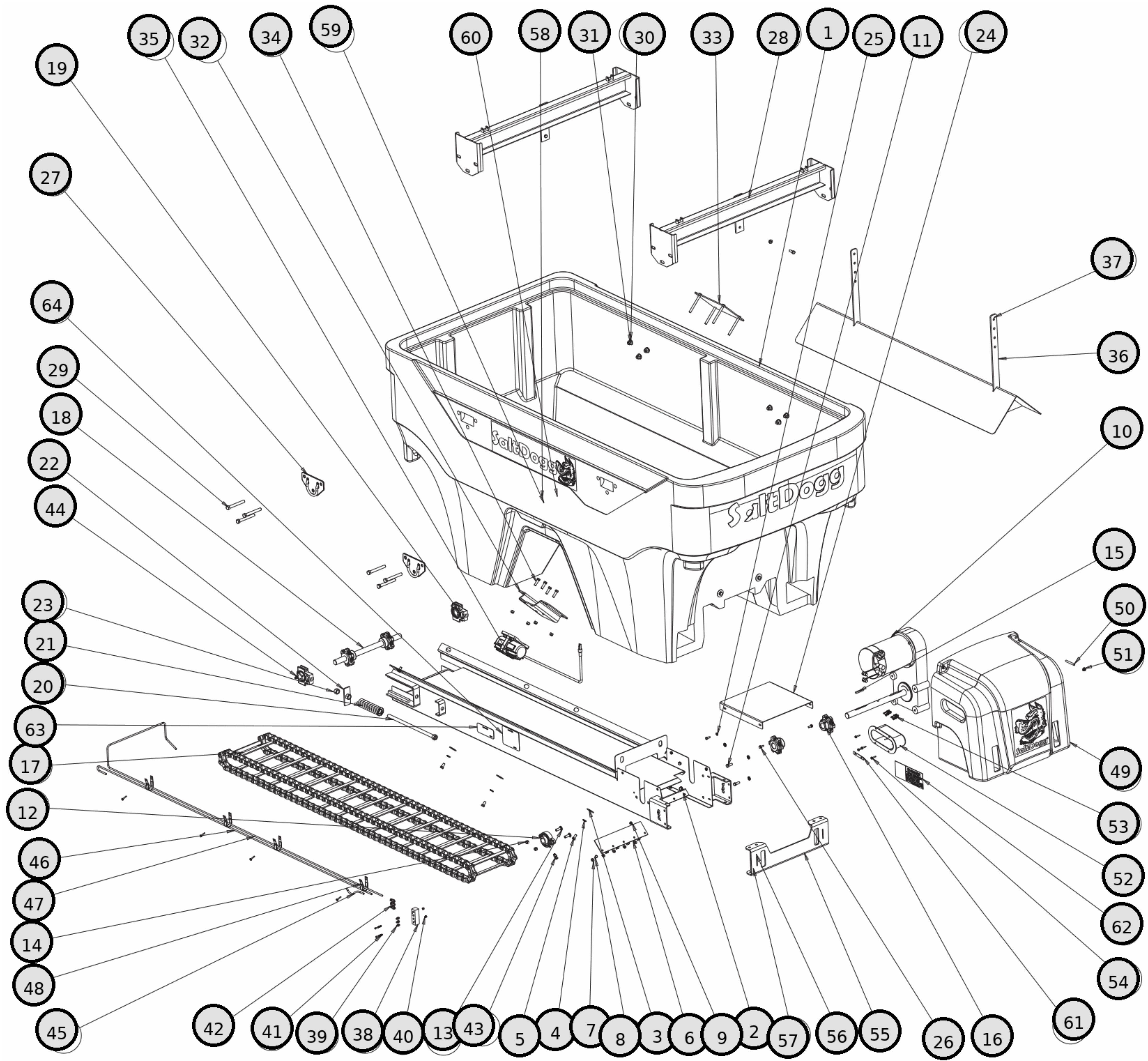
PRO2000



REF	PN	DESCRIPTION
1	3034401	HOPPER PRO2000
2	3034593	TROUGH WELDMENT CHAIN PRO2000
3	3007115	WASHER,FENDER,3/8IN, 1.5IN OD X .062 SST
4	FWL038069009SS	WASHER,SPLIT LOCK, 3/8IN, SST
5	FCS038016075SS	SCREW,HEX HD CAP 3/8-16X3/4SST
6	1410241	WIPER BELT,HOPPER
7	FWF025063007SS	WASHER,FLAT,1/4IN SAE,SST
8	3008549	SCREW,HEX HD CAP,1/4-20 X .500IN, SST
9	FNE025020031SS	NUT, NYLOCK, 1/4-20, GR A, SST
10	3013821	GEAR MOTOR 12 VDC .75 HP
10	3014778	REPLACEMENT MOTOR FOR 3024575
10	3054944	REPAIR PIGTAIL, PRO MOTOR
11	FCS038016100SS	SCREW CAP-3/8IN-16 X 1IN, HEX HEAD, SST
12	1410200	BEARING,DRIVE SHAFT,1-1/8INSELF ALIGN
13	3031483	BOLT CARRIAGE SHORT NECK 3/8-16 X 1.25
14	FNE038016044SS	NUT-NYLOCK, 3/8-16 X 7/16 THK,SST
15	KS402	KEY SQUARE 1/4IN X 2IN
16	1410250	SPROCKET,DRIVE,CONVEYOR CHAIN(6)TOOTH
17	1401300	CHAIN,CONVEYOR, ASSY,93 LINKS,SCH072,BLK
18	3008571	SHAFT IDLER ASSEMBLY
19	1411001	TAKE UP UNIT 1IN
20	3023046	BOLT WELDED, TAKE-UP
21	3023022	SPRING, CHAIN TENSION
22	3031199	TAKE-UP NUT WELDMENT
23	FNH063011054SS	NUT, HEX 5/8-11, SST
24	3031195	CHAIN COVER
25	FWL025050006SS	WASHER,SPLIT LOCK,1/4IN,SST
26	FCS025020075SS	SCREW,CAP-1/4-20 X 3/4IN,SST
27	3022220	TIE-DOWN WELDMENT FINISH BLK POWDER
28	3035740	CROSS MEMBER PRO2000
29	FCS050013400Z	SCREW,HEX HD CAP 1/2-13 X 4.00 G5 ZINC
30	FWF050106010	WASHER, FLAT, 1/2 X 1.062 X .095, ZN
31	FNE050013053	NUT, NYLOCK, 1/2-13, GR A, ZN
32	3039179	BRACKET, VIBRATOR
33	3034598	STBD PLATE WELDMENT, VIBRATOR
34	FCS038016125SS	SCREW,CAP-3/8IN-16 X 1-1/4INSST
35	3007416	VIBRATOR 200 LBS 12 VDC
36	3035267	INVERTED VEE PRO2000
37	3001255	NUT,HEX, SERRATED FLANGE 3/8-16, SST
38	3035346	RIGHT ANGLE JUNCTION BLOCK
39	800	GREASE FTG 1/8IN PT STRAIGHT
40	3035358	NUT NYLOCK 8-32 SST
41	3035357	SCREW 8-32 X 1.50 SST RD HEAD
42	3035347	GREASE FITTING 1/4TUBE 1/8 NPT STRAIGHT
43	3035344	GREASE FITTING 1/4TUBE 1/4-28 MALE STRAI
44	3035345	GREASE FTG 1/4TUBE- 1/4-28 MALE ELBOW
45	3035348	GREASE HOSE REAR BEARING
46	3035355	GREASE HOSE FRONT DR SIDE
47	3035356	GREASE HOSE FRONT PS SIDE

HOPPER ASSEMBLY

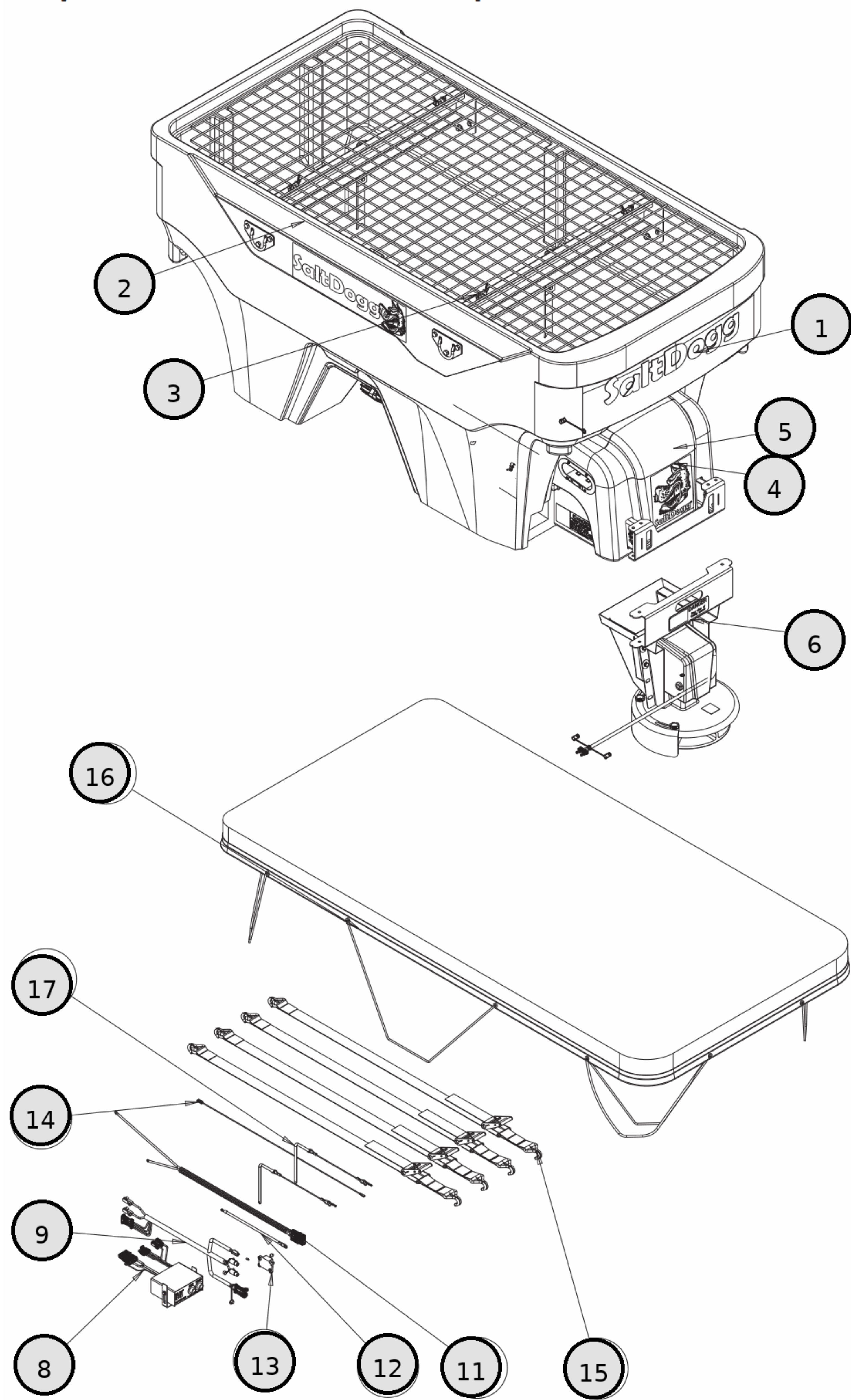
PRO2000CH



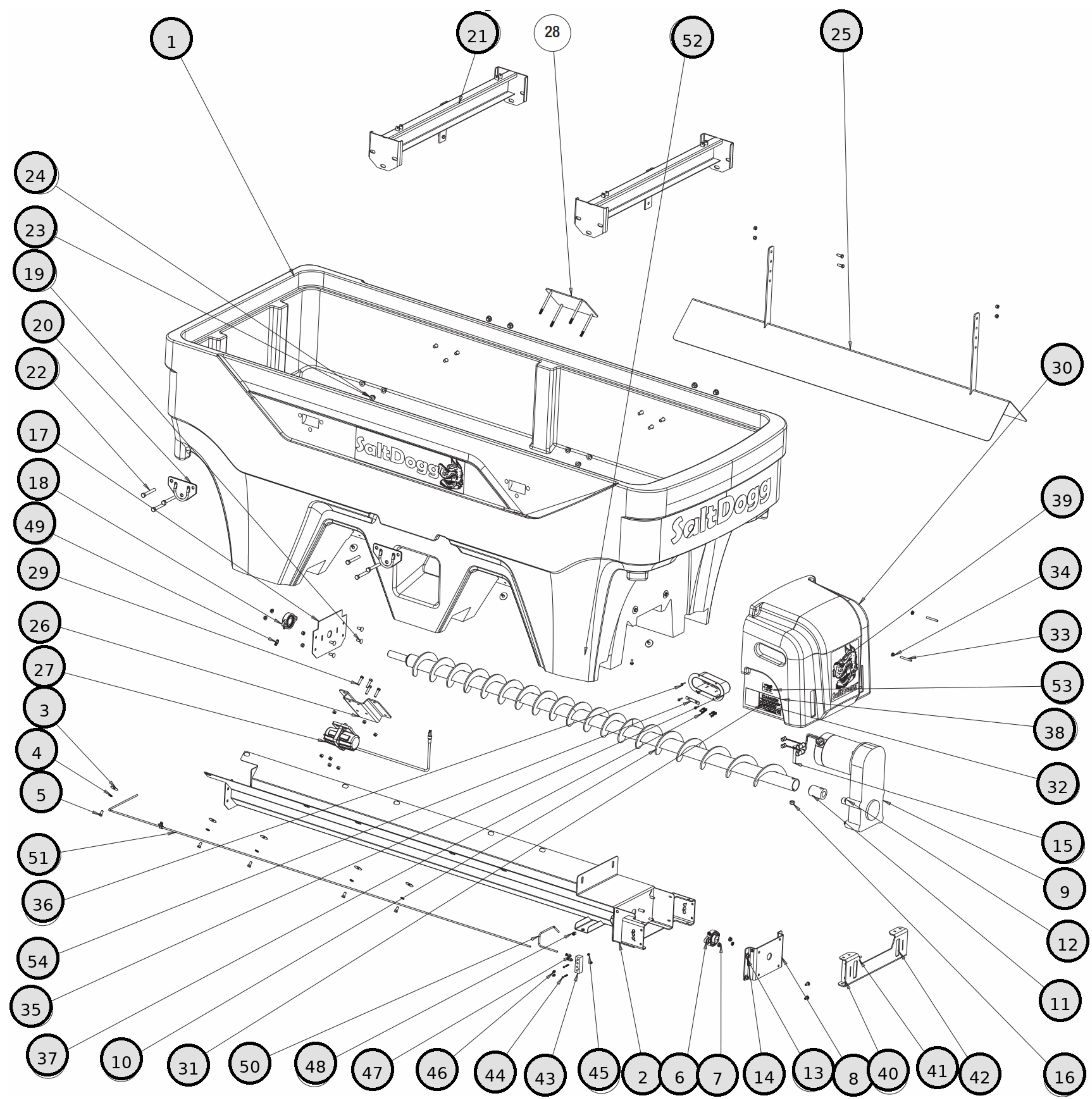
REF	PN	DESCRIPTION
48	5000	CLAMP,HOSE .500, 13/32 HOLE
49	3031169	SHROUD
50	3033165	STUD THREADED 5/16-18 X 2.5 SST
51	3006719	NUT-HEX FLANGE, 5/16IN-18 SST
52	3031203	MOUNT CONNECTORS
53	3031276	CLIP ATTACHMENT, CONNECTOR DEUTSCH
54	3007522	SCREW,SHEET METAL #12 X 1.0IN HEX WASHER
55	3033076	CHUTE ATTACHMENT
56	3012144	BOLT,CARRIAGE, 5/16-18 X 3/4 RD HD SST
57	FNE031018034SS	NUT, NYLOCK, 5/16-18, GR A, SST
58	3033164	WIPER BRACKET
59	3035269	WIPER BELT, FRONT
60	3015873	SCREW #12-14 X .75 IN, SELF DRILL HEX
61	3033172	DECAL, CONNECTION
62	3032591	DECAL, DANGER. MOVING CONVEYOR/AUGER
63	1499035	LABEL, WARNING 3, CHAINS AND SPROCKETS
64	1499030	LABEL, CAUTION 1 (PAYLOAD)

HOPPER ASSEMBLY

PRO2000CH



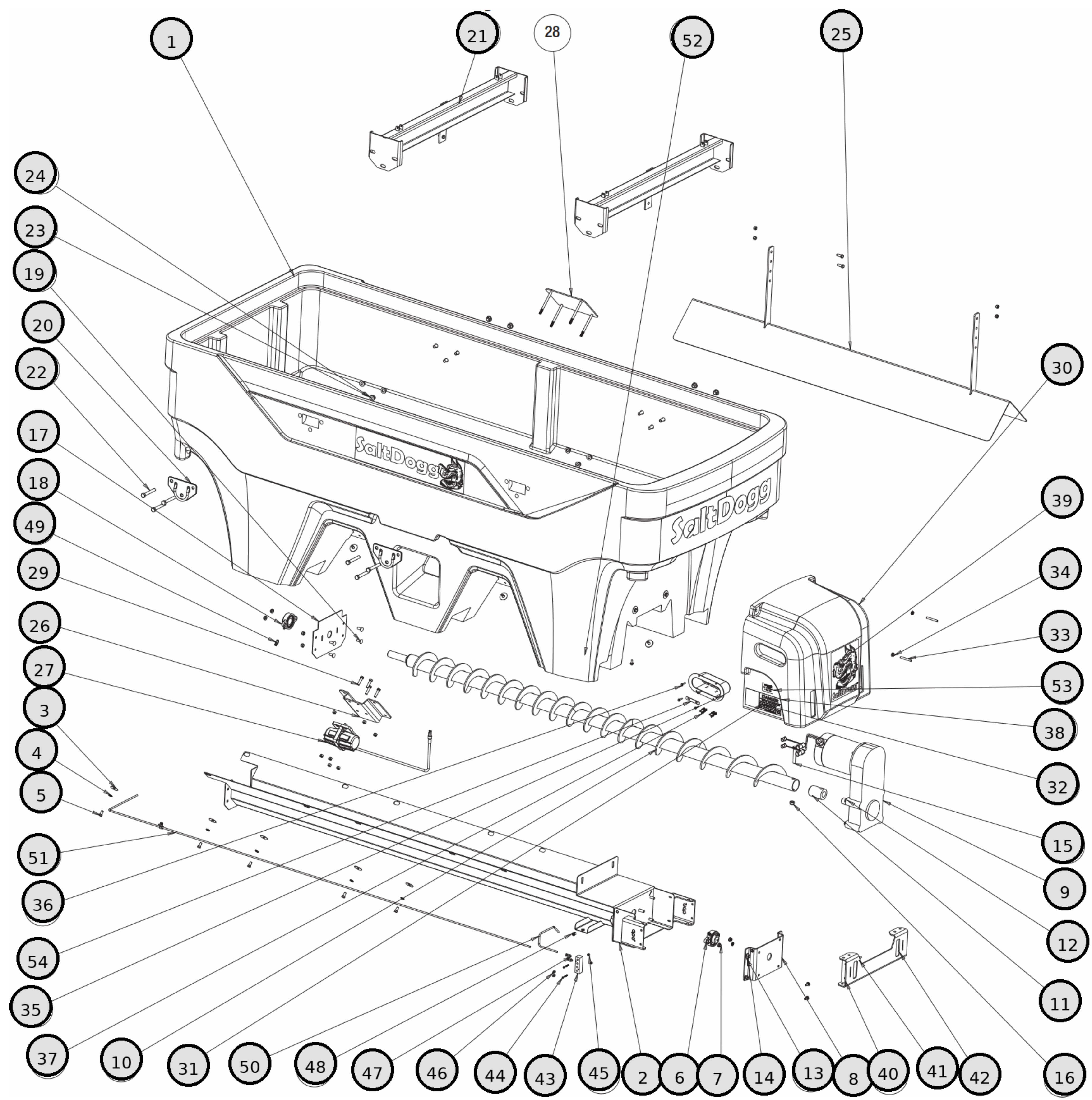
REF	PN	DESCRIPTION
1	3034957	HOPPER ASM CHAIN
1	3035263	HOPPER ASM AUGER PRO2000
2	3034599	SCREEN, MESH, 43.5X87.0, .25IN WIRE
3	66050	SNAPPER PIN, 1/4INX1-3/16IN, YELLOW ZNC
4	3035380	LABEL, SERIAL NUMBER PRO2000
5	3035854	LABEL PATENT
6	3031475	CHUTE SWING, ADJUSTABLE
8-13	3058402	CONTROLLER/HARNESS KIT (BUCKET), PRO SPREADERS
8	3057918	CONTROLLER, PRO
9	3030628	WIRE HARNESS MAIN
10	3035938	KIT POWER CABLE REPLACES 3016943
11	3035935	POWER CORD
12	3001379	CABLE, BATTERY RED 14IN LENGTH
13	CB150PB	CIRCUIT BREAKER, 150AMP, PUSH-TO-TRIP,
14	0203700	WIRE ASSY, 36IN LONG
15	1496505	SPREADER HOLD DOWN KIT (4 PCS)
16	3035377	TARP, PRO2000/SHPE2000
17	3033174	PIN, CHUTE ATTACHMENT



REF	PN	DESCRIPTION
1	3030763	HOPPER PRO2500
2	3032999	TROUGH WELDMENT PRO2500
3	3007115	WASHER,FENDER,3/8IN, 1.5IN OD X .062 SST
4	FWL038069009SS	WASHER,SPLIT LOCK, 3/8IN, SST
5	FCS038016075SS	SCREW,HEX HD CAP 3/8-16X3/4SST
6	1410200	BEARING,DRIVE SHAFT,1-1/8INSELF ALIGN
7	3001255	NUT,HEX, SERRATED FLANGE 3/8-16, SST
8	3033003	SPACER, GEAR MOTOR
9	3014778	REPLACEMENT MOTOR FOR 3024575
9	3024575	GEAR MOTOR 12 VDC .75 HP
9	3054944	REPAIR PIGTAIL, PRO MOTOR
10	3033660	AUGER PRO 5.25 VARIABLE LH
11	3033663	SLEEVE, AUGER ADAPTER
12	FCS038016100SS	SCREW CAP-3/8IN-16 X 1IN, HEX HEAD, SST
13	FWF038100007SS	WASHER-FLAT USS, 3/8IN, SST
14	FNE038016044SS	NUT-NYLOCK, 3/8-16 X 7/16 THK,SST
15	3001250	SCREW,CAP,HEX HD,1/2-13 X 3
16	FNE050013053SS	NUT, ELASTIC STOP, 1/2-13,SST
17	3033070	BRACKET BEARING FRONT
18	9240086	BEARING, SDD
19	FCB037516100SS	BOLT,CARRIAGE, 3/8-16 X 1, SST
20	3022220	TIE-DOWN WELDMENT FINISH BLK POWDER
21	3030854	CROSS MEMBER PRO2500
22	3005140	SCREW,HEX HD CAP,1/2-13X3.5 GR 5,ZINC
23	FWF050106010	WASHER, FLAT, 1/2 X 1.062 X .095, ZN
24	FNE050013053	NUT, NYLOCK, 1/2-13, GR A, ZN
25	3030863	INVERTED VEEPRO2500
26	3039179	BRACKET, VIBRATOR
27	3007416	VIBRATOR 200 LBS 12 VDC
29	FCS038016150SS	SCREW,CAP-3/8IN-16 X 1-1/2INSST
30	3031169	SHROUD
31	FWF025063007SS	WASHER,FLAT,1/4IN SAE,SST
32	FCS025020075SS	SCREW,CAP-1/4-20 X 3/4IN,SST
33	3033165	STUD THREADED 5/16-18 X 2.5 SST
34	3006719	NUT-HEX FLANGE, 5/16IN-18 SST
35	3031203	MOUNT CONNECTORS
36	3007522	SCREW,SHEET METAL #12 X 1.0IN HEX WASHER
37	3031276	CLIP ATTACHMENT, CONNECTOR DEUTSCH
38	3032591	DECAL, DANGER. MOVING CONVEYOR/AUGER
39	3032595	DECAL, CAUTION, MOUNTING
40	3033076	CHUTE ATTACHMENT
41	3012144	BOLT,CARRIAGE, 5/16-18 X 3/4 RD HD SST
42	FNE031018034SS	NUT, NYLOCK, 5/16-18, GR A, SST
43	3035346	RIGHT ANGLE JUNCTION BLOCK
44	3035357	SCREW 8-32 X 1.50 SST RD HEAD
45	3035358	NUT NYLOCK 8-32 SST
46	800	GREASE FTG 1/8IN PT STRAIGHT
47	3035347	GREASE FITTING 1/4TUBE 1/8 NPT STRAIGHT
48	3035742	THICK PANEL SNAP BUSHING

HOPPER ASSEMBLY

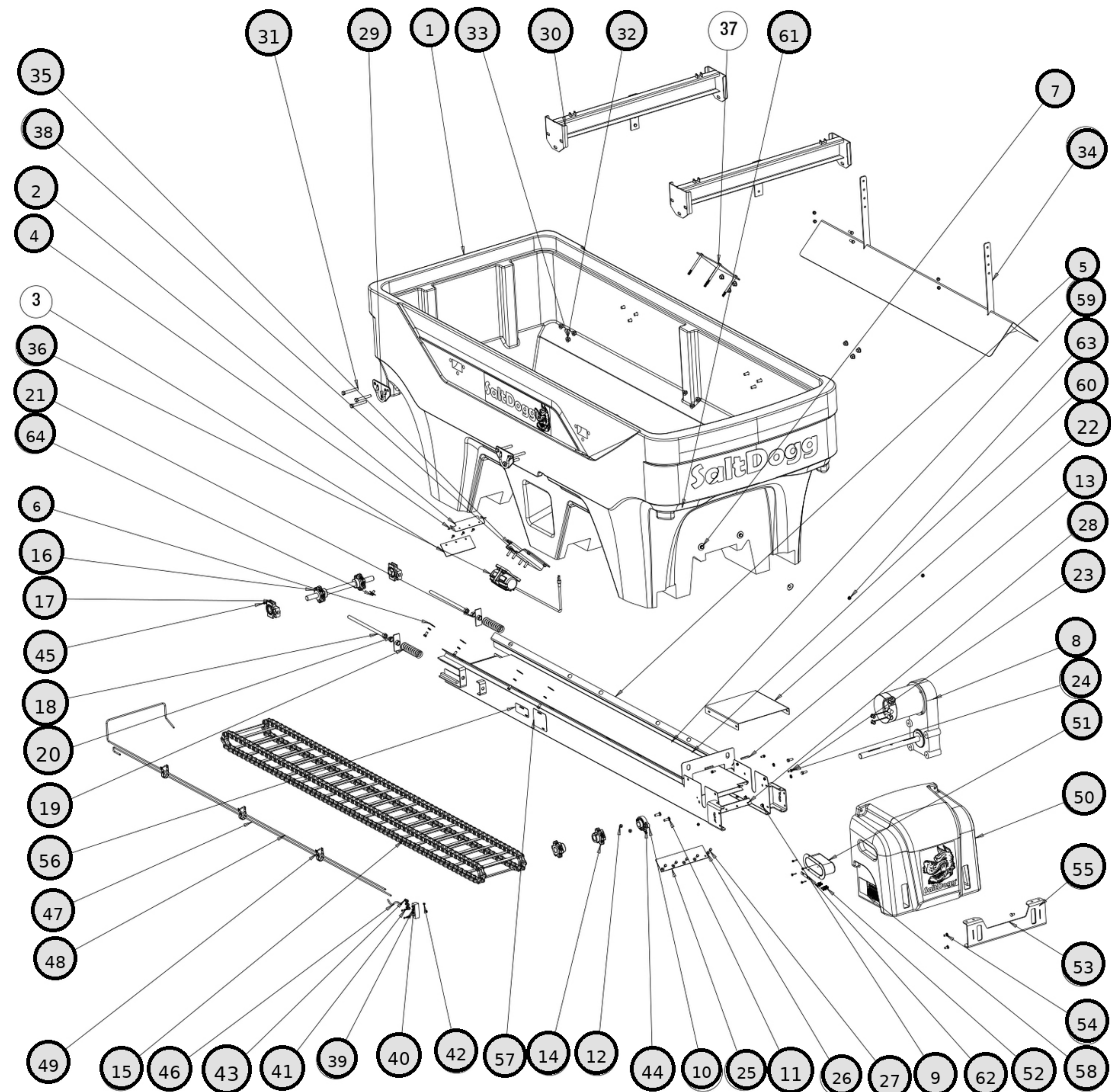
PRO2500



REF	PN	DESCRIPTION
49	3035344	GREASE FITTING 1/4TUBE 1/4-28 MALE STRAI
50	3035359	GREASE TUBE REAR BEARING AUGER
51	3036016	GREASE TUBE FRONT BEARING AUGER
52	4375	CLAMP,HOSE .4375, 9/32 HOLE
53	3035854	LABEL PATENT
54	3033172	DECAL, CONNECTION

HOPPER ASSEMBLY

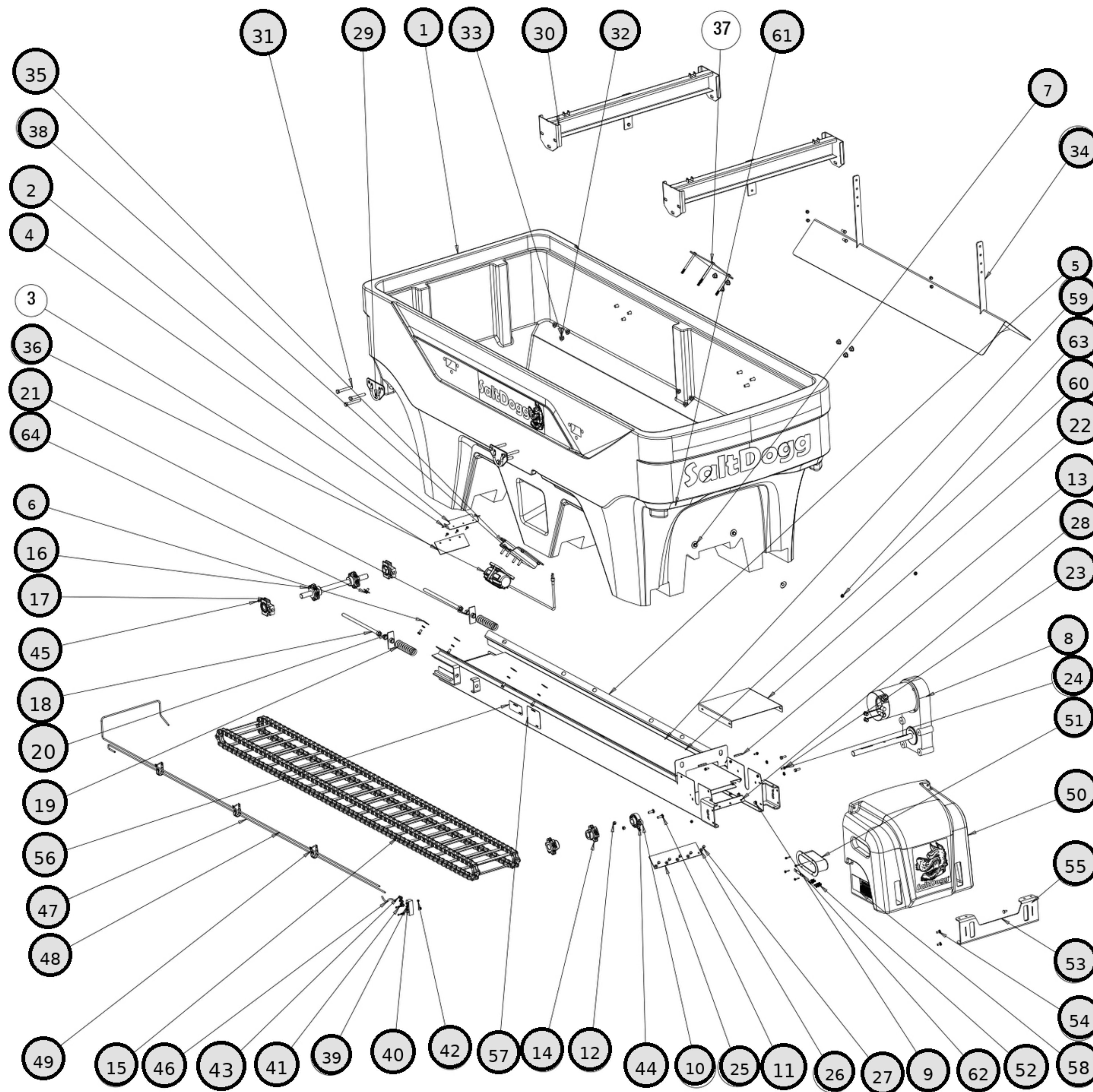
PRO2500



REF	PN	DESCRIPTION
NAN	3030853	REPLACEMENT TOP SCREEN FOR SALTDogg@ SHPE2500 SPREADER
NAN	3031475	REPLACEMENT ADJUSTABLE CHUTE SWING FOR SALTDogg@ PRO SERIES SPREADERS
1	3030763	HOPPER SHPE2500
1	3034401	HOPPER, PRO2000
2	3033164	WIPER BRACKET
4	3007522	SCREW,SHEET METAL #12 X 1.0IN HEX WASHER
5	3027772	TROUGH, SHPE2500CH
5	3034593	TROUGH, PRO2000CH
6	3007115	WASHER,FENDER,3/8IN, 1.5IN OD X .062 SST
7	FWL038069009SS	WASHER,SPLIT LOCK, 3/8IN, SST
8	3013821	REPLACEMENT 12VDC .75 HP 4-BOLT AUGER GEAR MOTOR FOR SALTDogg@ SPREADER
8	3014778	REPLACEMENT MOTOR FOR 3024575
8	3054944	REPAIR PIGTAIL, PRO MOTOR
9	FCS038016100SS	SCREW CAP-3/8IN-16 X 1IN, HEX HEAD, SST
10	1410200	REPLACEMENT 1-1/8 INCH SELF ALIGNING CHUTE SIDE DRIVE SHAFT TAKE-UP BEARING
11	3031483	BOLT, 3/8-16 X1 SST
12	FNE038016044SS	NUT-NYLOCK, 3/8-16 X 7/16 THK,SST
13	KS402	SQUARE KEY STOCK
14	1410250	REPLACEMENT 6-TOOTH CHUTE SIDE DRIVE SPROCKET FOR D662 CHAIN
15	1401100P	REPLACEMENT 8 FOOT 122-LINK MAIN PINTLE CHAIN D662
16	3008571	SHAFT IDLER ASSEMBLY
17	1411001	REPLACEMENT CAB SIDE DRIVE CHAIN IDLER TAKE-UP BEARING
18	3023046	BOLT WELDED, TAKE-UP
19	3023022	TENSION SPRING
20	3031199	TAKE UP NUT
21	FNH063011054SS	NUT, HEX 5/8-11, SST
22	3031195	CHAIN COVER
23	FWL025050006SS	WASHER,SPLIT LOCK,1/4IN,SST
24	FCS025020075SS	SCREW,CAP-1/4-20 X 3/4IN,SST
25	1410241	WIPER BELT,HOPPER
26	FWF025063007SS	WASHER,FLAT,1/4IN SAE,SST
27	3008549	SCREW,HEX HD CAP,1/4-20 X .500IN, SST
28	FNE025020031SS	NUT,HEX-NYLOCK INSERT 1/4-20
29	3022220	TIE-DOWN WELDMENT FINISH BLK POWDER
30	3030854	CROSS MEMBER
31	3005140	SCREW,HEX HD CAP,1/2-13X3.5 GR 5,ZINC
32	FWF050106010	WASHER FLAT 1/2IN SAE, ZINC
33	FNE050013053	SAM BULK CUTTING EDGE NUTS AND BOLTS TO FIT FISHER® SNOW PLOWS
34	3030863	REPLACEMENT INVERTED V FOR SALTDogg@ PRO2500 SPREADER
35	3039179	REPLACEMENT BRACKET FOR SALTDogg@ PRO SERIES SPREADER VIBRATORS
36	3007416	200 POUND VIBRATOR
38	FCS038016150SS	SCREW,CAP-3/8IN-16 X 1-1/2INSST
39	3035346	RIGHT ANGLE JUNCTION BLOCK
40	800	NPT GREASE FITTINGS
41	3035357	SCREW, 8-32X 1.50 SST
42	3035358	NUT, NYLOCK 8-32 SST, BLACK OXIDE
43	3035347	GREASE FITTING, 1/4 X 1/8NPT STRAIGHT
44	3035344	GREASE FITTING, 1/4 X 1/4-28 STRAIGHT
45	3035345	GREASE FITTING, 1/4 X 1/8NPT 90 DEGREE

HOPPER ASSEMBLY

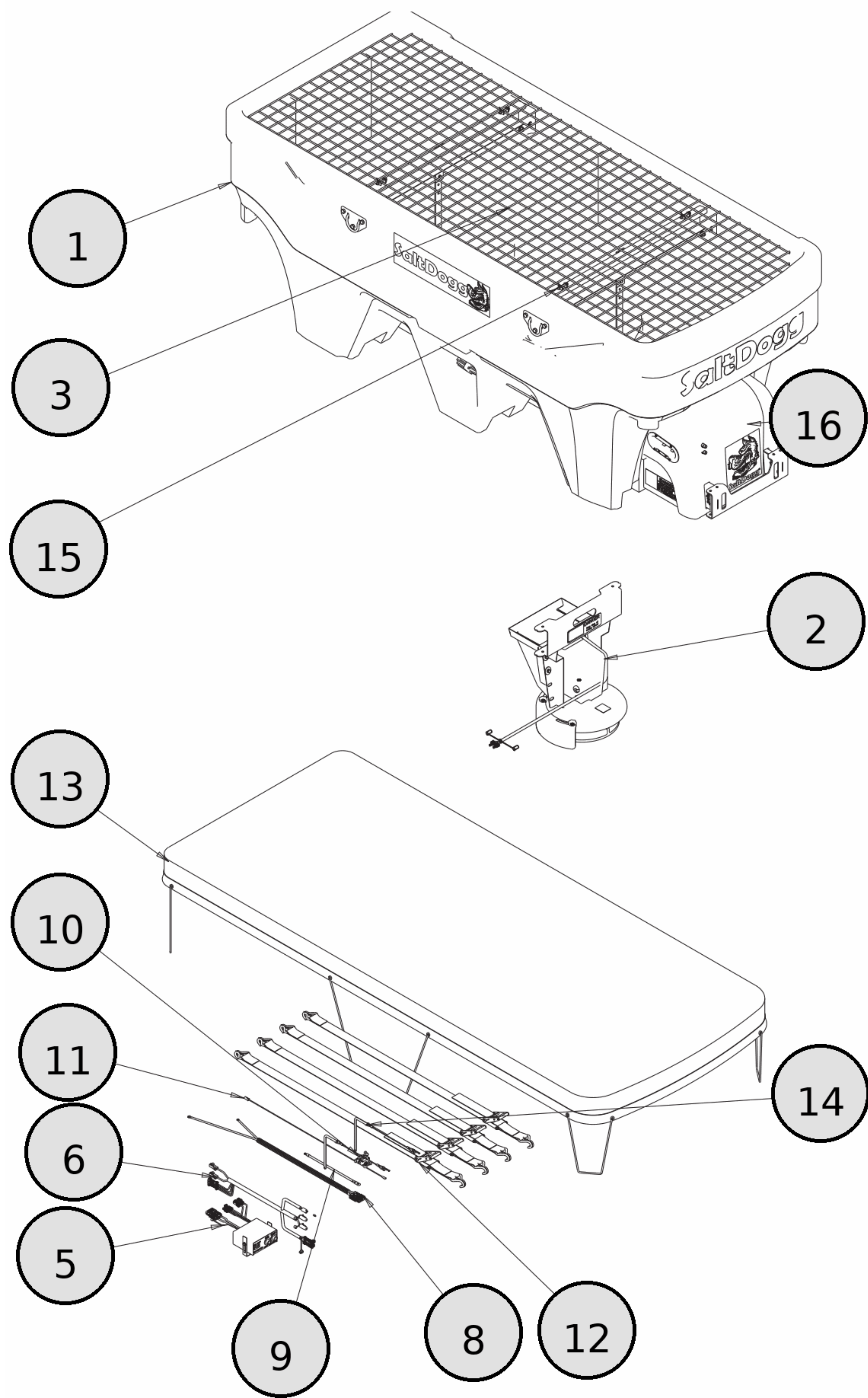
PRO2500CH



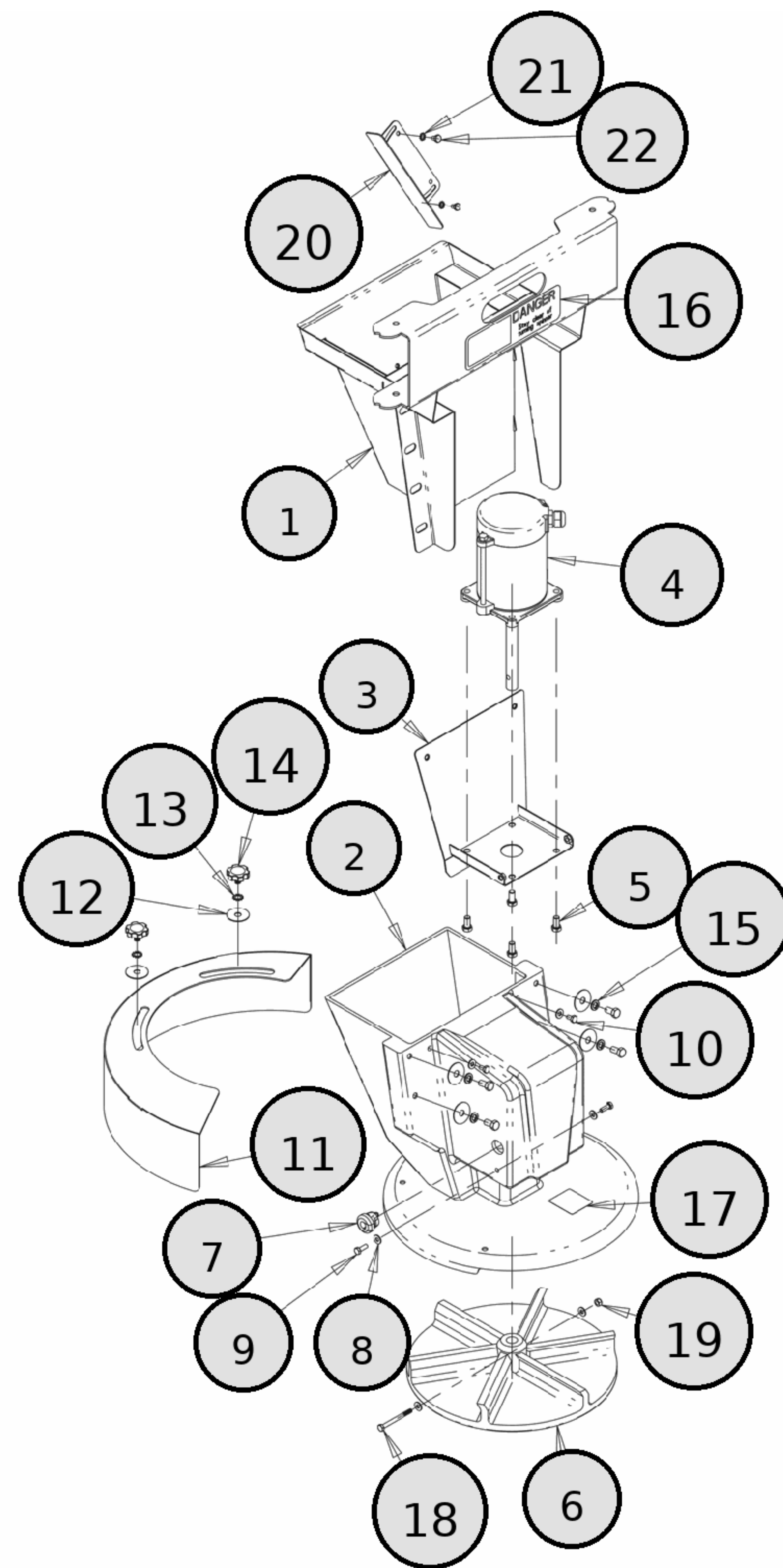
REF	PN	DESCRIPTION
46	3035348	GREASE HOSE, REAR BEARING
47	3036051	GREASE HOSE, FRONT DS, PRO2500CH
48	3036052	GREASE HOSE, FRONT PS, PRO2500CH
49	5000	HOSE CLAMP, 3/8
50	3031169	SHROUD
51	3031203	MOUNT CONNECTORS
52	3031276	CLIP ATTACHMENT, CONNECTOR DEUTSCH
53	3033076	CHUTE ATTACHMENT
54	3012144	BOLT,CARRIAGE, 5/16-18 X 3/4 RD HD SST
55	FNE031018034SS	NUT,NYLOCK 5/16-18 SST
56	1499035	LABEL, WARNING 3
57	1499030	LABEL, CAUTION 1 (PAYLOAD)
58	3032591	DECAL, DANGER. MOVING CONVEYOR/AUGER
59	3032593	DECAL, DANGER, MOVING CONVEYOUR
60	3032595	DECAL, CAUTION, MOUNTING
61	3033165	STUD THREADED 5/16-18 X 2.5 SST
62	3033172	DECAL, CONNECTION
63	3006719	NUT-HEX FLANGE, 5/16IN-18 SST
64	FCS038016075SS	SCREW,HEX HD CAP 3/8-16X3/4SST

HOPPER ASSEMBLY

PRO2500CH



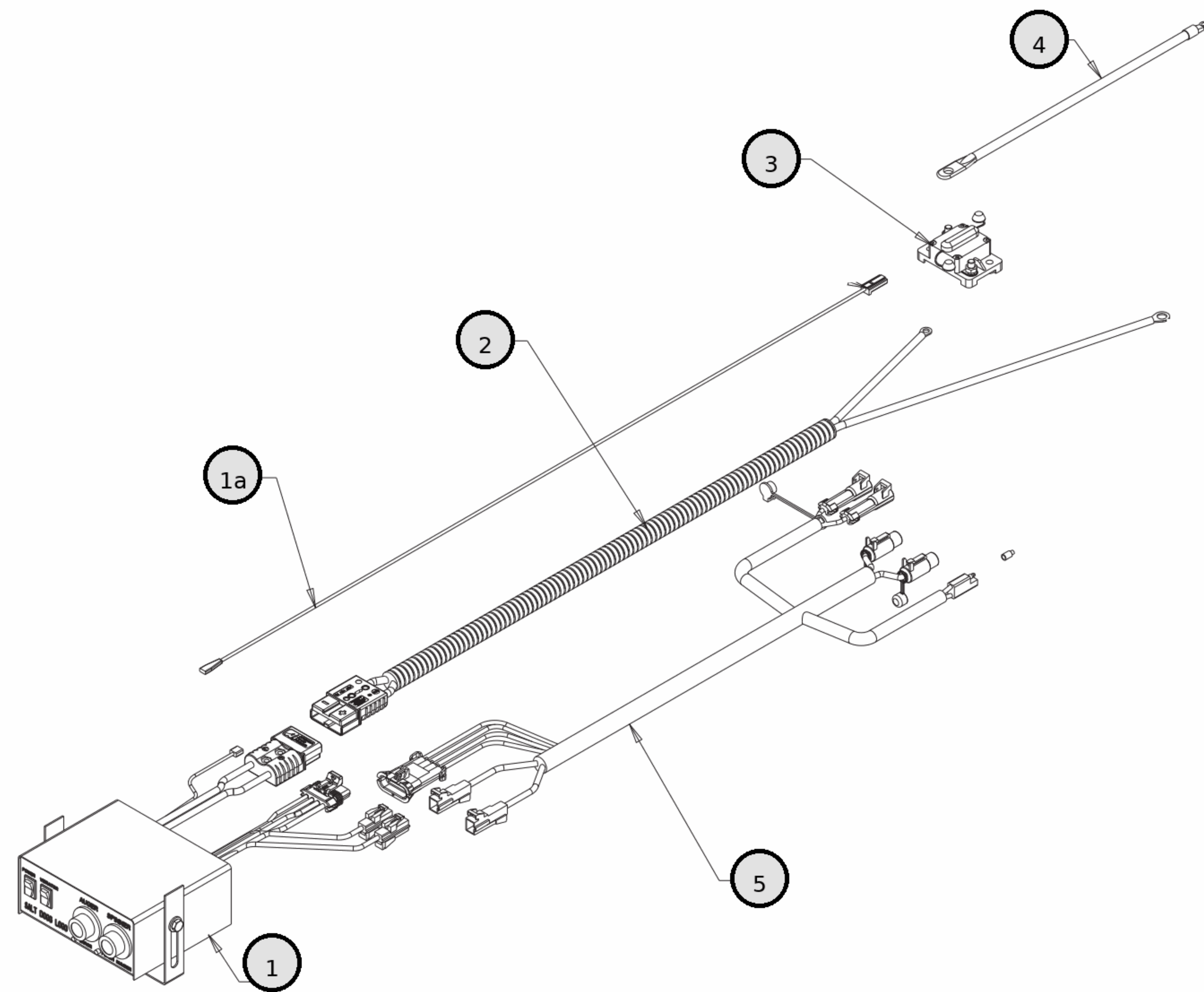
REF	PN	DESCRIPTION
1	3033301	HOPPER ASSEMBLY PRO2500
2	3031475	CHUTE SWING, ADJUSTABLE
3	3030853	SCREEN, MESH, 43.5X108.1, .25IN WIRE
4	3031797	HARDWARE KITPRO2500
5	3057918	CONTROLLER, PRO
6	3030628	WIRE HARNESS MAIN
7	3035938	KIT POWER CABLE REPLACES 3016943
8	3035935	POWER CORD
9	3001379	CABLE, BATTERY RED 14IN LENGTH
10	CB150PB	CIRCUIT BREAKER, 150AMP, PUSH-TO-TRIP,
11	0203700	WIRE ASSY, 36IN LONG
12	1496505	*DISCONTINUED*
13	3030857	TARP PRO2500/PRO3000
14	3033174	PIN, CHUTE ATTACHMENT
15	66050	SNAPPER PIN, 1/4INX1-3/16IN, YELLOW ZNC
16	3036015	LABEL SERIAL NUMBER PRO2500



REF	PN	DESCRIPTION
1	3056844	UPPER CHUTE WELDMENT
2	3030930	CHUTE OUTER ADJUSTABLE
3	3030908	MOTOR MOUNT CHUTE
4	3030907	REPLACEMENT .5 HP 12 VDC SPINNER MOTOR FOR SALTDOGG® PRO SERIES SPREADERS
4	3054945	PIGTAIL, PRO SPINNER MOTOR (2 CONNECTORS)
5	FCS038016075SS	SCREW,HEX HD CAP 3/8-16X3/4SST
6	3012393	REPLACEMENT 14 INCH CW POLY SPINNER FOR SALTDOGG® SPREADER
7	3025065	BUSHING CABLE STRAIN RELIVER
8	FWF025063007SS	WASHER,FLAT,1/4IN SAE,SST
9	FCS025020075SS	SCREW,CAP-1/4-20 X 3/4IN,SST
10	3008549	SCREW,HEX HD CAP,1/4-20 X .500IN, SST
11	3040557	REPLACEMENT CHUTE SHIELD FOR SALTDOGG® PRO SERIES SPREADERS
12	3007115	WASHER,FENDER,3/8IN, 1.5IN OD X .062 SST
13	3017356	WASHER LOCK, 3/8 EXTERNAL TOOTH SST
14	3031755	3/8-16X1/2 PLASTIC HEAD THUMB SCREW
15	FWL038069009SS	WASHER,SPLIT LOCK, 3/8IN, SST
16	3007844	DECAL,DANGER STAY CLEAR FOR POLY CHUTES
17	3002631	LABEL, NO STEP
18	3016761	1/4-20 X 2.75 BOLT, SST
19	FNE025020031SS	NUT,HEX-NYLOCK INSERT 1/4-20
20	3042702	GUIDE, MATERIAL
21	3023463	LOCK WASHER, 1/4 EXT SST
22	FCS025020038SS	SCREW,HEXHD CAP 1/4-20X3/8 SST

CHUTE ASSEMBLY

PRO2500CH / PRO2500 / PRO2000CH / PRO2000 / PRO1500CH / PRO1500



REF	PN	DESCRIPTION
-	3058402	CONTROLLER KIT (BUCKET), PRO W/INSTRUCTIONS
-	3058858	CONTROLLER KIT (BUCKET) SCH W/INSTRUCTIONS
1	3057918	CONTROLLER, PRO
1A	0203700	ENABLE WIRE (3016934 ONLY)
2-4	3035938	POWER HARNESS KIT, PRO
2	3035935	POWER HARNESS, PRO
3	CB150PB	CIRCUIT BREAKER, 150A
4	3001379	BATTERY CABLE
5	3017233	CONNECTOR REPAIR KIT, 3030628 TO CONTROLLER (4 PIN)
5	3020301	CONNECTOR REPAIR KIT, 3030628 TO SPINNER (2 CONNECTORS)
5	3024738	CONNECTOR REPAIR KIT, 3030628 TO DRIVE MOTOR (2 CONNECTORS)
5	3030628	CONTROL HARNESS, PRO, 2 CONNECTOR SPINNER
5	3054942	PIGTAIL, 3030628 TO VIBRATOR
5	3054943	PIGTAIL, 3030628 TO DRIVE MOTOR (2 CONNECTORS)
5	3054945	PIGTAIL, 3030628 TO SPINNER (2 CONNECTORS)

CONTROL HARNESSES

PRO2500CH / PRO2500 / PRO2000CH / PRO2000 / PRO1500CH / PRO1500